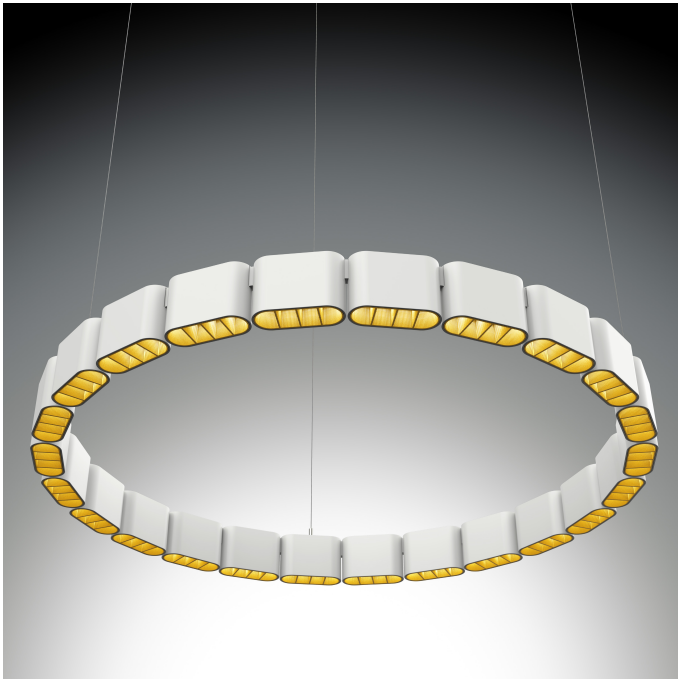


Centura 40 IP20

Fixed ring modular LED pendant lighting system

Down light - 2 or 4 x high power LEDs with lenses per module



Standard ring diameters:

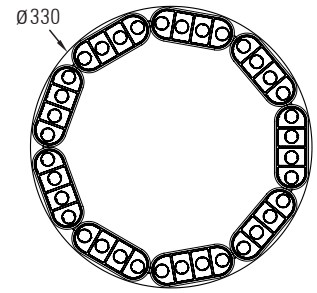
Minimum ring size
9 modules - diameter = 330mm.

12 modules - diameter = 425mm

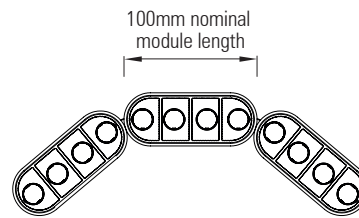
15 modules - diameter = 525mm

18 modules - diameter = 620mm

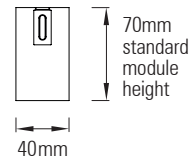
+ increments of approximately
100mm up to - 2mtr diameter



Custom lengths up to 2.5 Mtrs based
on a nominal 100mm module length



Custom module heights
can be specified. The
minimum, standard
module height is 70mm



Down light - 2 or 4 x high power LEDs with lenses per module

Modular fixed-ring LED pendant lighting system IP20 - Down light

Product description:

Modular circular LED pendants in a range of sizes with down lights and decorative two-colour louvred snoots in custom finishes for use in a wide range of application areas including architectural, hospitality, leisure and retail. The unique design means that the size of the ring can range from 120mm ø with no maximum.

2 or 4 x Cree XP-E, XP-G or XQ-E LEDs or Osram Oslon LEDs with Ledil Tina2 or Heidi lenses per module. See LED / lens matrix for beam angle options

Up to 5 Watts per 100mm module

30 Volt - 48 Volt DC supply depending on application

Integral LV constant current drivers

Dimming options available: 1 - 10V, DMX and DALI

Various LED colour temperature and CRI options available

Decorative anti-glare louvred snoots with custom powder coat or anodized finishes to order. The interior louvre finish can be different from the outer body finish

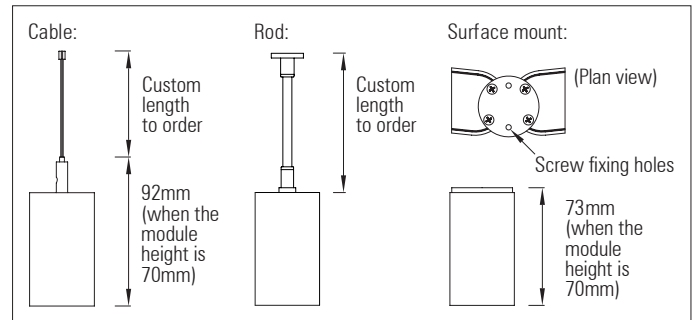
Body - Satin black, satin white or any RAL powder coat or anodized finish

Louvre - Satin black or any RAL powder coat or anodized finish

Standard and custom diameter rings based on a 100 mm module

Rod, cable or surface mount options. Custom solutions are also available

* RGB, RGBW, RGBA and Dynamic-white options do not use a colour mixing lens. See Centura 60 IP20 data sheets for versions with colour-blending Gaggione lens.



Down light LED / lens matrix	CREE XP-E		CREE XP-G	
	Tina 2	Heidi	Tina 2	Heidi
Diffused spot (D)	12 °	9 °	17 °	12 °
Real spot (RS)	11 °	8 °	15 °	9 °
Medium (M)	31 °	28 °	30 °	28 °
Wide (W)	50 °	32 °	57 °	31 °
Wide (WW)	55 °	44 °	58 °	44 °
Wide (WWW)	57 °	N/A	60 °	N/A
Elliptical (O)	32+14 °	48+10 °	35+16 °	47+14 °

Product Code	No. of LEDs per module	IP	Diameter (mm)	LED Type	CRI	Colour Temp. (K)	Optics	Mounting Type	Finish
RAD CENTURA 40 RING DOWN IP20	4 x LEDs per module: 25mm pitch	20	330mm to custom figure	Cree: XP-E, XP-G, XQ-E	Cree: 80, 90	27=2,700k 30=3,000k 35=3,500k 40=4,000k 45=4,500k 50=5,000k * RGB * RGBW * RGBA * Dynamic white	Ledil Tina2 Heidi N, M, W, E, Diffused spot (See LED / lens matrix)	Steel Cable	Body: Any powder coat or anodized finish Louvre: Any powder coat or anodized finish
	2 x LEDs per module: 50mm pitch			-available in increments of 100mm modules	Osram: Oslon			Osram: 95	